

# **PARTS MANUAL**

---

**J30XNT, J35XNT, J40XNT  
(K160)**

**CUSTOMER EDITION**

---

***HYSTER***



**SECTIONS**

<b>1</b>	<b>FRAME</b>
<b>2</b>	<b>ELECTRICAL SYSTEM</b>
<b>3</b>	<b>DRIVE UNIT</b>
<b>4</b>	<b>STEERING SYSTEM</b>
<b>5</b>	<b>BRAKE/ACCELERATOR SYSTEM</b>
<b>6</b>	<b>HYDRAULIC SYSTEM</b>
<b>7</b>	<b>MAST-TWO STAGE LIMITED FREE-LIFT</b>
<b>8</b>	<b>MAST-THREE STAGE FULL FREE-LIFT</b>
<b>9</b>	<b>MAST-TWO STAGE FULL FREE-LIFT</b>
<b>10</b>	<b>MAST-FOUR STAGE FULL FREE-LIFT</b>
<b>11</b>	<b>OPTIONS</b>
<b>12</b>	<b>FIELD CONVERSION KITS</b>
<b>13</b>	<b>NUMERICAL INDEX</b>

This Parts Manual is divided into 13 major sections which are listed above. Quick reference to these sections can be made by placing the right thumb on the tab of the desired section, bending the book back and thumbing the pages to the corresponding tab.



**Thanks very much for your reading,  
Want to get more information,  
Please click here, Then get the complete  
manual**

**JustClickHere** 

**NOTE:**

**If there is no response to click on the link above,  
please download the PDF document first, and then  
click on it.**

**Have any questions please write to me:  
[admin@servicemanualperfect.com](mailto:admin@servicemanualperfect.com)**

**TABLE OF CONTENTS**

DESCRIPTION	PAGE
<b>A</b>	
ACCELERATOR PEDAL	
MONOTROL .....	5-10
STANDARD .....	5-8
ADD ON OPTIONS	
ADD ON TELEMETRY KITS .....	12-5
ADD-ON OPTION KITS	
ARMREST SLIDER ASSEMBLY	
→ 9/2010 .....	1-66
9/2010 → .....	1-68
AUDIBLE ALARMS .....	11-2
AUXILIARY KEY SWITCH ASSEMBLY .....	2-30
AUXILIARY TUBE EXTENSION KIT	
AUXILIARY TUBE EXTENSIONS	
TWO AND THREE STAGE FULL FREE-LIFT .....	11-34
TWO-STAGE LIMITED FREE-LIFT .....	11-32
<b>B</b>	
BATTERY CONNECTOR AND CABLE ASSEMBLY	
WITH RAPID CHARGE AND E-STEERING (10/2013 →) .....	2-26
WITH RAPID CHARGE OPTION (→ 10/2013) .....	2-24
WITHOUT RAPID CHARGE OPTION .....	2-22
BATTERY TRAY OPTIONS	
DROP-IN .....	1-20
SIDE REMOVAL .....	1-22
BRAKE PEDAL LINKAGE .....	5-2
<b>C</b>	
CARRIAGE	
SIX ROLLER - FOUR STAGE FULL FREE-LIFT .....	10-36
CARRIAGE ASSEMBLY	
THREE STAGE FULL FREE LIFT - C662 .....	8-16
THREE STAGE FULL FREE LIFT - C662 - INTEGRAL SIDE-SHIFT .....	11-20
TWO STAGE FULL FREE- LIFT .....	9-14
TWO STAGE FULL FREE LIFT - C663 - INTEGRAL SIDE-SHIFT .....	11-22
TWO STAGE LIMITED FREE LIFT - C661 .....	7-10
TWO STAGE LIMITED FREE LIFT - C661 - INTEGRAL SIDE-SHIFT .....	11-18
CONTACTOR	
E .....	2-34
EE .....	2-36
CONTROL VALVE	
ELECTRO-HYDRAULIC - 3 AND 4 FUNCTION .....	6-30
MANUAL - 3 AND 4 FUNCTION (→ 10/2011) .....	6-44
CONTROLLER	
HOIST AND FAN ASSEMBLY (→ 10/2013) .....	2-14
HOIST AND FAN ASSEMBLY (10/2013 →) .....	2-16
TRACTION AND FAN ASSEMBLY (→ 10/2013) .....	2-18
TRACTION AND FAN ASSEMBLY (10/2013 →) .....	2-20
CONTROLLERS .....	2-10

## TABLE OF CONTENTS (continued)

DESCRIPTION	PAGE
COUNTERWEIGHT .....	1-24
COWL MOUNT	
→ S/N K160N02485K .....	1-38
S/N K160N02486K → .....	1-40
<b>D</b>	
DASH AND STEERING COLUMN COVERS	
FIXED COLUMN .....	1-42
TELESCOPIC COLUMN .....	1-44
DC/DC CONVERTER	
WITH AUXILIARY PLUG HARNESS .....	11-6
WITHOUT AUXILIARY PLUG HARNESS .....	11-4
DIRECTION CONTROL CONVERSION KITS .....	12-7
DISPLAY .....	2-27
DOME LIGHT .....	11-40
DRIVE TIRE AND WHEEL ASSEMBLY	
CUSHION .....	3-10
PNEUMATIC - WATTS .....	3-11
PNEUMATIC - MONARCH .....	3-12
DRIVE UNIT ASSEMBLY .....	3-2
DUAL MIRRORS	
REAR VIEW - WITH DRIVE-IN RACK .....	11-13
REAR VIEW .....	11-14
<b>E</b>	
ELECTRICAL ARRANGEMENT	
→ 10/2013 .....	2-4
10/2013 → .....	2-6
<b>F</b>	
FIRE EXTINGUISHER .....	11-46
FLOOR PLATES .....	1-46
FORK POSITIONER ASSEMBLY .....	11-28
FORKS .....	1-74
OPTIONAL .....	1-76
FREE LIFT ASSEMBLY	
THREE STAGE FULL FREE LIFT - C662 .....	8-8
TWO STAGE FULL FREE LIFT - C663 .....	9-6
FREE LIFT CYLINDER ASSEMBLY	
THREE STAGE FULL FREE LIFT - C662 .....	8-14
TWO STAGE FULL FREE LIFT - C663 .....	9-12
FREE-LIFT CYLINDER	
FOUR STAGE FULL FREE-LIFT .....	10-26
FREE-LIFT HOSE	
FOUR STAGE FULL FREE-LIFT .....	10-31
FRONT WORK AND MARKER LIGHTS .....	11-41
FULL SUSPENSION SEAT	
MANUAL AND ELECTRO-HYDRAULIC — SWIVEL AND NON SWIVEL - SHEET 1 OF 4 .....	1-58
RECLINER AND DAMPER KITS - SHEET 2 OF 4 .....	1-60
SERVICE KITS FOR NON SWIVEL AND SWIVEL - SHEET 3 OF 4 .....	1-62

**TABLE OF CONTENTS (continued)**

DESCRIPTION	PAGE
FUSE PANEL ASSEMBLY .....	2-32
<b>H</b>	
HEADER HOSE ASSEMBLY	
THREE STAGE FULL FREE-LIFT - C662 (→ 12/2012) .....	8-18
THREE STAGE FULL FREE-LIFT - C662 (12/2012 →) .....	8-22
TWO STAGE LIMITED FREE-LIFT - C661 .....	7-12
TWO-STAGE FULL FREE-LIFT - C663 .....	9-16
HEADER HOSE CONVERSION KITS	
HEADER HOSE CONVERSTION KITS	
HEADER HOSES	
THREE AND FOUR FUNCTION .....	10-38
HOOD AND COUNTERWEIGHT COVER	
→ 11/2014 .....	1-2
11/2014 → .....	1-4
WITH RAPID CHARGE (10/2013 ↔ 11/2014) .....	1-10
WITH RAPID CHARGE (11/2014 →) .....	1-14
WITH RAPID CHARGE OPTION (→ 10/2013) .....	1-6
HOSE ATTACHING PARTS	
FOUR FUNCTION - FOUR STAGE FULL FREE-LIFT .....	10-44
THREE FUNCTION - FOUR STAGE FULL FREE-LIFT .....	10-40
HYDRAULIC CONTROL VALVE	
MANUAL - 3 AND 4 FUNCTION (10/2011 →) .....	6-48
HYDRAULIC CONTROLS	
ELECTRO-HYDRAULIC .....	6-28
MANUAL .....	6-40
HYDRAULIC FILTER HOUSING .....	6-12
HYDRAULIC HOSE	
MAST .....	6-26
HYDRAULIC HOSES AND FITTINGS	
AUXILIARY HOSES .....	6-22
STEERING (→ PENDING PER ECN 15533404) .....	6-16
SUPPLY AND RETURN .....	6-14
WITH SYNCHRONOUS STEERING (PENDING PER ECN 15533404 →) .....	6-18
WITHOUT SYNCHRONOUS STEERING .....	6-20
HYDRAULIC LEVERS - LINKAGE ASSEMBLY (MANUAL) .....	6-38
HYDRAULIC MOTOR .....	6-6
HYDRAULIC POWER UNIT INSTALLATION .....	6-2
HYDRAULIC PUMP .....	6-8
HYDRAULIC PUMP AND MOTOR ASSEMBLY .....	6-4
HYDRAULIC TANK ASSEMBLY	
WITH FILTER .....	6-10
HYDRAULIC VALVE CONVERSION KIT .....	12-6
<b>I</b>	
IMPACT SENSOR .....	11-8
INBOARD REAR LIGHTS .....	11-42
INLET SECTION	
ELECTRO-HYDRAULIC CONTROL VALVE .....	6-32



**TABLE OF CONTENTS (continued)**

<b>DESCRIPTION</b>	<b>PAGE</b>
MANUAL HYDRAULIC CONTROL VALVE .....	6-52
INNER INTERMEDIATE MAST	
FOUR STAGE FULL FREE-LIFT .....	10-10
INNER MAST	
FREE-LIFT - FOUR STAGE FULL FREE-LIFT .....	10-14
INTEGRAL SIDE-SHIFT	
FORK POSITIONER - 3 FFL .....	11-26
INTEGRAL SIDE-SHIFT CARRIAGE	
FOUR STAGE FULL FREE-LIFT .....	10-48
INTEGRAL SIDE-SHIFT CYLINDER .....	11-30
INTEGRAL SIDE-SHIFT HYDRAULIC HOSE	
FOUR STAGE FULL FREE-LIFT .....	10-50
<b>L</b>	
LABELS	
EXTERIOR .....	1-48
HYDRAULIC CONTROL FUNCTIONS .....	1-52
INTERIOR .....	1-50
LIFT CHAINS	
FOUR STAGE FULL FREE-LIFT .....	10-29
LIFT CYLINDER ASSEMBLY	
TWO STAGE LIMITED FREE LIFT - C661 .....	7-6
LIFT/TILT SECTION	
ELECTRO-HYDRAULIC CONTROL VALVE .....	6-34
LIFT/TILT/AUXILIARY SECTION	
MANUAL HYDRAULIC CONTROL VALVE .....	6-54
LIGHTS	
WITH DRIVE-IN RACK OVERHEAD GUARD .....	2-50
WITH STANDARD OVERHEAD GUARD .....	2-48
LOAD BACKREST .....	10-34
LOAD BACKREST EXTENSION .....	1-72
LOWERING CONTROL VALVE	
FOUR STAGE FULL FREE-LIFT .....	10-33
<b>M</b>	
MAIN LIFT ASSEMBLY	
THREE STAGE FULL FREE LIFT - C662 .....	8-4
TWO STAGE FULL FREE LIFT - C663 .....	9-4
MAIN LIFT CYLINDER	
LEFT HAND - FOUR STAGE FULL FREE-LIFT .....	10-22
RIGHT HAND - FOUR STAGE FULL FREE-LIFT .....	10-18
MAIN LIFT CYLINDER ASSEMBLY	
THREE STAGE FULL FREE LIFT - C662 .....	8-10
MAIN LIFT CYLINDER LH	
TWO STAGE FULL FREE LIFT - C663 .....	9-8
MAIN LIFT CYLINDER RH	
TWO STAGE FULL FREE- LIFT - C663 .....	9-10
MAST ASSEMBLY	
THREE STAGE FULL FREE LIFT - C662 - INNER, INTERMEDIATE AND OUTER .....	8-2

**TABLE OF CONTENTS (continued)**

<b>DESCRIPTION</b>	<b>PAGE</b>
TWO STAGE FULL FREE LIFT - C663 .....	9-2
TWO STAGE LIMITED FREE LIFT - C661 .....	7-2
MAST/TILT CYLINDER INSTALLATION .....	6-60
MASTER CYLINDER .....	5-4
MINI-LEVER CONTROLS	
3 FUNCTION .....	2-40
4 FUNCTION .....	2-44
MIRROR	
PANORAMIC - WITH STANDARD OVERHEAD GUARD .....	11-10
PANORAMIC - WITH LOW-PROFILE OVERHEAD GUARD .....	11-12
<b>N</b>	
NON SUSPENSION SEAT	
WITHOUT ELECTRONIC CONTROLS - WITH BOLT IN SENSOR .....	1-54
WITHOUT ELECTRONIC CONTROLS - WITH SNAP IN SENSOR .....	1-56
<b>O</b>	
OUTER INTERMEDIATE MAST	
MAIN LIFT - FOUR STAGE FULL FREE-LIFT .....	10-6
OUTER MAST	
FOUR STAGE FULL FREE-LIFT .....	10-2
OUTLET SECTION	
MANUAL HYDRAULIC CONTROL VALVE .....	6-56
OVERHEAD GUARD	
→ S/N K160N02485K .....	1-26
S/N K160N02486K ↔ 10/2013 .....	1-28
10/2013 → .....	1-30
DRIVE-IN RACK (→ S/N K160N02485K) .....	1-32
DRIVE-IN RACK (S/N K160N02486K →) .....	1-34
WITH INBOARD TAIL LIGHTS (→ 10/2013) .....	1-36
<b>P</b>	
PARKING BRAKE RELEASE .....	5-6
POSITIONER SENSOR	
MANUAL HYDRAULIC CONTROL VALVE .....	6-58
<b>R</b>	
REAR REFLECTORS .....	11-36
RETURN TO SET TILT	
11/2014 → .....	6-24
REVERSE HANDLE .....	11-16
<b>S</b>	
SEAT ATTACHING PARTS	
NOT INCLUDED WITH SEAT - SHEET 4 OF 4 .....	1-64
SIDE PANELS .....	1-18
STATIC STRAP .....	1-70
STEER AXLE ASSEMBLY .....	4-4
STEER AXLE MOUNTING .....	4-2

**TABLE OF CONTENTS (continued)**

<b>DESCRIPTION</b>	<b>PAGE</b>
STEER TIRE AND WHEEL ASSEMBLY	
CUSHION .....	4-21
PNEUMATIC - WATTS .....	4-22
PNEUMATIC - MONARCH .....	4-23
STEERING ACCUMULATOR	
→ PENDING PER ECN 15533404 .....	4-20
STEERING COLUMN ASSEMBLY	
FIXED (→ 10/2013) .....	4-11
FIXED (10/2013 →) .....	4-12
TELESCOPIC (→ 10/2013) .....	4-14
TELESCOPIC (10/2013 →) .....	4-15
STEERING HAND PUMP ASSEMBLY	
→ PENDING PER ECN 15533404 .....	4-16
PENDING PER ECN 15533404 → .....	4-18
STEERING WHEEL AND COLUMN	
FIXED .....	4-7
TELESCOPIC .....	4-9
STROBE LIGHT ASSEMBLY AND REAR WORK LIGHT .....	11-38
<b>T</b>	
TIE RODS	
ELECTRO-HYDRAULIC CONTROL VALVE .....	6-36
MANUAL HYDRAULIC CONTROL VALVE .....	6-57
TILT CYLINDER ASSEMBLY .....	6-62
TILT CYLINDER CONVERSION KITS .....	12-7
TILT SENSOR GROUP .....	2-38
TRACTION MOTOR ASSEMBLY .....	3-4
TRACTION SPEED LIMITER	
STANDARD AND INTEGRAL SIDE-SHIFT CARRIAGES .....	11-24
TRANSMISSION	
COVER AND BRAKE DISCS .....	3-6
HOUSING .....	3-8
<b>W</b>	
WIRE HARNESS	
12 VOLT OUTLET (→ 9/2013) .....	2-120
12 VOLT OUTLET (9/2013 →) .....	2-122
AUTO LIGHT ACTIVATION .....	11-44
AUTO LIGHT ACTIVATION .....	11-45
AUXILIARY PLUG .....	2-125
DC/DC CONVERTER .....	2-124
HYDRAULIC FLUID LEVEL AND PRESSURE .....	2-116
LIGHTS WITH DRIVE-IN RACK OVERHEAD GUARD (→ 10/2013) .....	2-110
LIGHTS WITH DRIVE-IN RACK OVERHEAD GUARD (10/2013 →) .....	2-112
LIGHTS WITH OVERHEAD GUARD (→ 10/2013) .....	2-106
LIGHTS WITH OVERHEAD GUARD (10/2013 →) .....	2-108
MAIN WITH ELECTRO-HYDRAULICS - PAGE 1 OF 2 (→ 10/2013) .....	2-90
MAIN WITH ELECTRO-HYDRAULICS - PAGE 2 OF 2 (→ 10/2013) .....	2-94
MAIN WITH ELECTRO-HYDRAULICS, WITHOUT E-STEER - SHEET 1 OF 2 (10/2013 →) .....	2-98

**TABLE OF CONTENTS (continued)**

DESCRIPTION	PAGE
MAIN WITH ELECTRO-HYDRAULICS, WITHOUT E-STEER - SHEET 2 OF 2 (10/2013 →) .....	2-102
MAIN WITH MANUAL HYDRAULICS - PAGE 1 OF 2 (→ 10/2013) .....	2-66
MAIN WITH MANUAL HYDRAULICS - PAGE 2 OF 2 (→ 10/2013) .....	2-70
MAIN WITH MANUAL HYDRAULICS, WITHOUT E-STEER - SHEET 1 OF 2 (10/2013 ↔ 11/2013) .....	2-74
MAIN WITH MANUAL HYDRAULICS, WITHOUT E-STEER - SHEET 2 OF 2 (10/2013 ↔ 11/2013) .....	2-78
MAIN WITH MANUAL HYDRAULICS, WITHOUT E-STEER - SHEET 1 OF 2 (11/2014 →) .....	2-82
MAIN WITH MANUAL HYDRAULICS, WITHOUT E-STEER - SHEET 2 OF 2 (11/2014 →) .....	2-86
MANUAL HYDRAULICS .....	2-115
MANUAL INTERLOCK .....	2-114
RH OVERHEAD - STANDARD OPTION WITH DRIVE-IN RACK (→ 10/2013) .....	2-54
RH OVERHEAD GUARD - FREEZER OPTION WITH DRIVE-IN RACK (→ 10/2013) .....	2-62
RH OVERHEAD GUARD WITH FREEZER DISPLAY - WITH TURN SIGNALS (→ 10/2013) .....	2-58
RH OVERHEAD GUARD WITH FREEZER DISPLAY - WITH TURN SIGNALS (10/2013 →) .....	2-60
RH OVERHEAD GUARD WITH STANDARD DISPLAY - WITHOUT TURN SIGNALS (→ 10/2013) .....	2-52
RH OVERHEAD GUARD WITH STANDARD DISPLAY - WITHOUT TURN SIGNALS (10/2013 →) .....	2-53
STEER COLUMN .....	2-119
STEER UNIT .....	2-118
SYNCHRONOUS STEERING .....	2-117
WIRE HARNESS WITH TURN SIGNALS	
RH OVERHEAD GUARD - FREEZER OPTION WITH DRIVE-IN RACK (10/2013 →) .....	2-64
WIRE HARNESS WITHOUT TURN SIGNALS	
RH OVERHEAD GUARD - STANDARD OPTION WITH DRIVE-IN RACK (10/2013 →) .....	2-56

**ABBREVIATIONS QUICK REFERENCE SHEET**

Listed below are abbreviations used in parts manuals to denote the following expressions:

<b>TERM</b>	<b>DEFINITION</b>	<b>TERM</b>	<b>DEFINITION</b>
Amp	Amperes	FRE	Freezer Environment
AR	As Required	in.	inches
BDI	Battery Discharge Indicators	LPG	Liquefied Petroleum Gas
BWI	Brush Wear Indicator	MAP	Manifold Absolute Pressure
CE	Communicator End	mm	millimeters
CRE	Corrosive Environment	MSTS	Microprocessor Spark Timing System
D/B	Date Break	NPT	National Pipe Threads
dbA	Decibel "A" Scale	O/S	Oversize
DE	Drive End	PTO	Power Take Off
ECH	Empty Container Handler	RPM	Revolutions per Minute
ECH-3	Empty Container Handler - 3 High Stacking	S/N	Serial Number
ECH-4	Empty Container Handler - 4 High Stacking	TMM	Truck Management Module
ECH-5	Empty Container Handler - 5 High Stacking	UL Type D	Diesel-Powered Safety Rating
ECH-6	Empty Container Handler - 6 High Stacking	UL Type DS	Diesel-Powered Safety Rating
ECH-7	Empty Container Handler - 7 High Stacking	UL Type E	Battery-Powered Safety Rating
ECM	Electronic Control Module	UL Type EE	Battery-Powered Safety Rating
ECN	Engineering Change Notice	UL Type ES	Battery-Powered Safety Rating
EEPROM	Electrically Erasable Programmable Read Only Memory	UL Type G	Gasoline-Powered Safety Rating
EPA	US Environmental Protection Agency	UL Type GS	Gasoline-Powered Safety Rating
EPROM	Electrically Programmable Read Only Memory	UL Type LP	Gas-Powered Safety Rating
		UL Type LPS	LP Gas-Powered Safety Rating
		U/S	Undersize
		UL	Underwriters Laboratory
		V	Volts

### HOW TO USE THE ILLUSTRATED PARTS MANUAL

This parts manual describes and illustrates assemblies, subassemblies, and detail parts needed for service replacement.

The different constructions are indicated by keys and footnotes. The callouts correspond to descriptions found on the next page.

**HYSTER** UNIT CODE D001 NORTH AMERICA 06/2001

**TABLE OF CONTENTS**

DESCRIPTION	PAGE
AIR INTAKE AND FILTER DIESEL (→ D/B 11/98).....	3-22
AIR INTAKE AND FILTER DIESEL (D/B 11/96 →).....	
AIR INTAKE AND FILTER GASOLINE AND LPG.....	
ALTERNATOR GASOLINE, LPG, AND DIESEL.....	
ALTERNATOR TYPES GS, LPS, AND DS.....	
AUXILIARY FUNCTION TUBE TWO AND THREE STAGE FULL P.....	

**SECTION 13 NUMERICAL INDEX**

PART NO.	PAGE	ITEM NO.	PART NO.	PAGE	ITEM NO.	PART NO.	PAGE	ITEM NO.	PART NO.	PAGE	ITEM NO.
142	3-4	19	10-13	25		11-27	29	12-31	12		
12445	3-32	19	10-17	6		11-31	25	16719	3-36		5
	3-34	1	10-27	11		11-32	37	16751	3-16		27
			11	11		16485	8-4	16849	3-34		21
			11	6		8-4	29	16863	3-36		20
			12	13		8-4	45	16865	3-28		17
			12	6		8-8	34	16865	3-6		18
			13	17		9-7	9	16882	4-27		41
			13	10		9-7	19		9-7		30
			14	46		9-11	9		9-11		27
			14	46		10-9	21		10-10		36
			14	46		10-9	28		10-13		32
			14	46		10-9	28		11-7		24
			14	46		10-13	16		11-9		17
			14	46		11-7	19				

**SECTIONS**

- 1 FRAME
- 2 ELECTRICAL SYSTEM
- 3
- 4
- 5 BRAKE/ACC
- 6
- 7 MAST-TWO STAG
- 8 MAST-THREE STAG
- 9 MAST-TWO STAG
- 10
- 11

**TRANSMISSION HOUSING** S/N D001H-2628

KEY:  
A: Diesel  
B: Gasoline and LPG

ITEM	PART NO.	DESCRIPTION	QTY	
			A	B
		Transmission	1	1
		Transmission	1	1
		Case	2	2
1	2021670	Bearing Cap	4	4
2	2023418	Washer	1	1
3	296429	Bolt	2	2
4	293947	Cover	2	2
5	2021390	Colter Pin	4	4
6	1371656	O-Ring	1	1
7	2021329	Plug	4	4
8	2021915	Housing	22	22
9	2021675	Pin	39	39
10	2021336	Bolt	1	1
11	287860	Lockwasher	1	1
12	292682	Hydraulic Pump	1	1
13		Figure 5-3	8	8
14	2021345	Gasket	1	1
15	214364	Bolt	1	1
16	296418	Washer	1	1
17	2021388	Temperature Switch	1	1
18	2021389	Breather	9	9
19	2021383	Dipstick	9	9
20	292515	Bolt	2	2
21	136692	Nut	3	3
22	292527	Bolt	3	2
23	292531	Capscrew	4	4
24	292583	Lockwasher	4	4
25	293637	Bolt	4	4
26	296420	Washer	1	1
	996403	Transmission Kit (Includes Item 7)	1	1
	996405	Transmission Kit (Includes Item 14)	1	1

This Parts Manual is divided into 11 major sections which are listed above. Quick be made by placing the right thumb on the tab of the desired section, bending the pages to the corresponding tab.

© Copy Right Date HYSTER COMPANY See Service Manual for service procedures. 5-15

HP990004

## HOW TO FIND THE DESIRED PART NUMBER

### WHEN THE PART NUMBER AND THE NEXT HIGHER ASSEMBLY IS NOT KNOWN:

1. Determine the function and application of the part required. Turn to the Sections Page. Choose the general area of reference most likely to include the part.
2. Turn to the section you chose. Use the Section Table of Contents to determine the assembly which would normally contain the part required. Then locate the part on the assembly breakdown page.

### WHEN THE PART NUMBER IS NOT KNOWN AND THE NEXT HIGHER ASSEMBLY IS KNOWN:

3. Determine the assembly the required part is used on. Turn to the Table of Contents (Page i).
4. Locate the assembly the required part is used on and turn to the page indicated for that assembly. Then locate the part on the assembly breakdown page.

### WHEN THE PART NUMBER IS KNOWN:

5. Use the Numerical Index (Page 13-1) to find the part number. Turn to the page listed and locate the part as indicated by the item number.

### GENERAL:

The assembly breakdowns include part numbers, descriptions, quantities required, keys and footnotes to help in selecting correct parts.

6. Parts Supersession Information. Part numbers that have this history will be displayed in the parts list in the order that they were superseded (from oldest to newest). The superseded part numbers will be shown with a line through them.

Five periods in the PART NO. column (. . . . .) indicate that the part is either *Not Serviced Separately* or there is a reference to another figure. A figure reference is denoted by a pointing hand followed by a figure number in the DESCRIPTION column (☞ Figure 10)

7. Keys are used to show two or more similar assemblies, RH and LH assembly parts, etc. Select the appropriate key, "A", "B", "C", "D", or "E" and the corresponding quantity column to find the required parts. Two periods in the QTY column (..) indicate that the part is not used for that assembly.
8. Indented descriptions under the DESCRIPTION column are used to indicate assemblies and

subparts of assemblies. In the example on the previous page, *BEARING CAP* (Item 2) is a subpart of the major assembly *CASE*.

9. Quantities shown are for one assembly. The quantities of the subpart *BEARING CAP* are indicated as two and two. This means two per *CASE* assembly.
10. Serial number breaks identify the most current parts information and are shown as follows:
  - **S/N D001H2628**  
Indicates last serial number affected.
  - S/N D001H2629** →  
Indicates the first serial number affected.
  - S/N D001H1553** ↔ **S/N D001H3291**  
Indicates a range of serial numbers affected.

ECN numbers for pending serial numbers are shown to allow for the inclusion of the most current parts information and are identified as follows:

- **S/N Pending Per ECN 63243**  
Indicates a pending serial number for last unit affected.
- S/N Pending Per ECN 63243** →  
Indicates a pending serial number for first unit affected.

Date breaks are used to indicate when a change occurred but a subsequent serial number break was not recorded. This is an arbitrary date usually based on the ECN release and are identified as follows:

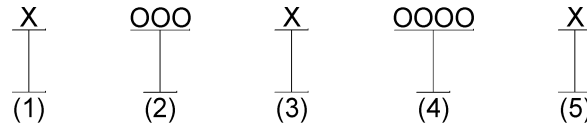
- **D/B 3/00**  
Indicates that a change occurred sometime within that month for the item affected.
- D/B 3/00** →  
Indicates that a change occurred sometime within that month for the item affected.
- D/B 3/00** ↔ **D/B 4/00**  
Indicates a range of production dates of the item affected.

Contact your local dealer for Hyster lift trucks for serial number information for items with a ECN or a date break.

### ORDERING PARTS:

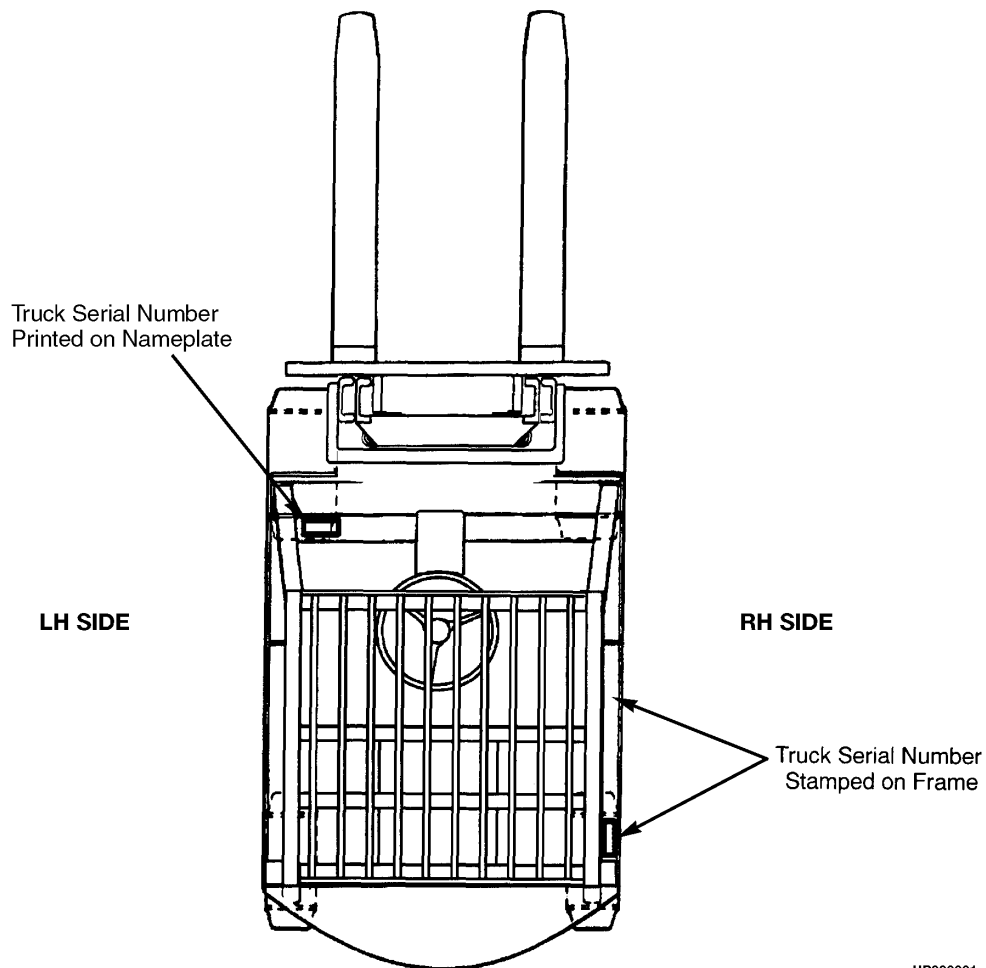
When ordering replacement parts, give the unit serial number, part number, name of part and quantity required.

For any further information on parts, service, or ordering, consult your local dealer for Hyster lift trucks.

**IDENTIFICATION OF TRUCK SERIAL NUMBERS**

- (1) and (2) The first letter and three numbers indicate the truck unit code.
- (3) The second letter indicates the plant of manufacture.
- (4) The four or five digit number indicates the production sequence number of the truck.
- (5) The final letter indicates the year of manufacture starting with "A" in 1957, 1980, and 2003.  
The letters "I", "O", and "Q" will not be used.

For pending serial numbers contact your local dealer for Hyster lift trucks.

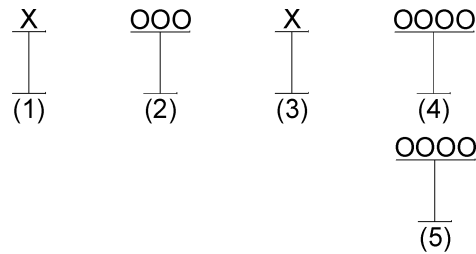


HP990001

Parts referred to in this book as right or left hand parts are in accordance with the illustration above.



## IDENTIFICATION OF MAST SERIAL NUMBERS



- (1) and (2) The first letter and number indicates the mast unit code.
- (3) The second letter indicates the plant of manufacture.
- (4) The four or five digit number indicates the production sequence number of the mast.
- (5) Carriage travel in millimeters stamped just below the serial number.

Mast Group identification consists of mast unit code (1) and (2) plus carriage travel (5).

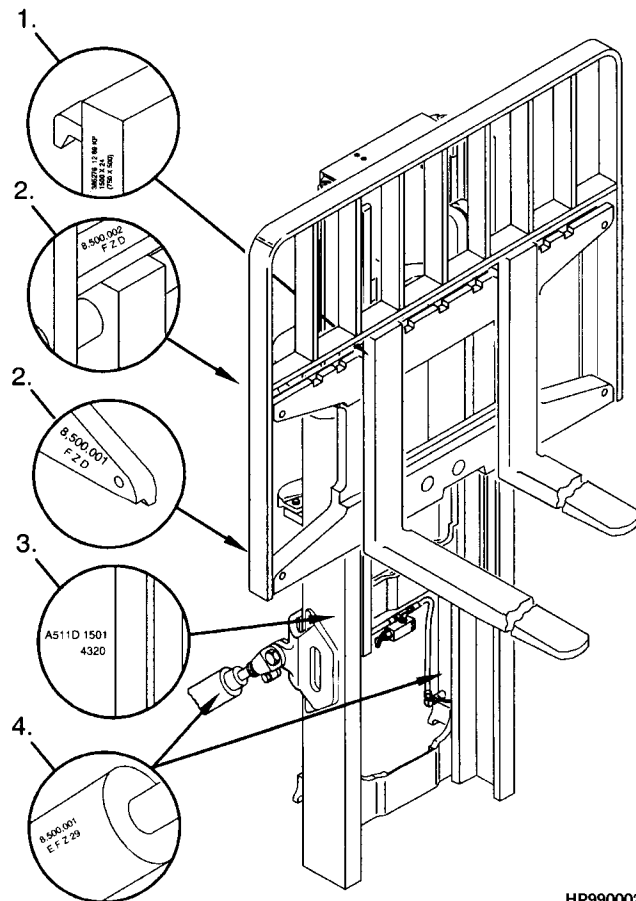
For pending production sequence numbers contact your local dealer for Hyster lift trucks.

## LIFT EQUIPMENT IDENTIFICATION

1. Fork part number, capacity rating, plant code letter, and date of manufacture are stamped approximately six inches below the top of most forks.
2. The carriage group number is stamped on the right hand side of the top crossmember (pin type) or on the back of the right hand end of the bottom crossmember (hook type). A date code has two letters in line with or below the carriage group number.
3. The mast identification number has a unit code, a letter indicating the plant of manufacture, and a serial number. Underneath the production sequence number is a four digit number that indicates the carriage travel in millimeters.
4. Tilt and lift cylinder group numbers are stamped on the cylinder shell.

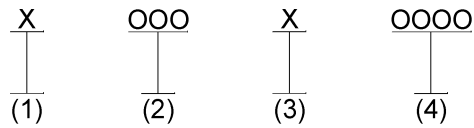
Always refer to the group, serial, or part number when ordering service parts.

Modification of masts and carriages by SPED (Special Products Engineering Department) are identified by a model prefix code beginning with the letter "S". contact your dealer for Hyster lift trucks for information on these assemblies.

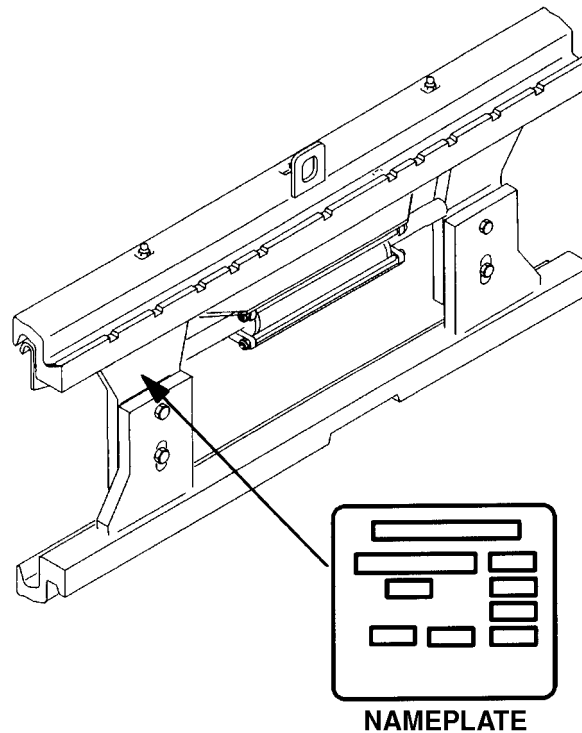


HP990002

## IDENTIFICATION OF ATTACHMENT AND SIDE-SHIFT CARRIAGE SERIAL NUMBERS



- (1) and (2) The first letter and three numbers indicate the attachment unit code.
- (3) The second letter indicates the plant of manufacture.
- (4) The four or five digit number indicates the production sequence number.
- For pending production sequence numbers contact your local dealer for Hyster lift trucks.



HP990003

Side-shift carriages and attachments have nameplates. Use the serial number found on the nameplate to identify the attachment.

Always refer to the group, serial, or part number when ordering service parts.

Modifications of attachments and side-shift carriages by SPED (Special Products Engineering Department) are identified by a model prefix code beginning with the letter "S". Contact your dealer for Hyster lift trucks for information on these assemblies.

## PUBLICATIONS

Every new lift truck is provided with an OPERATING MANUAL. This manual has information that the operator must know for inspection and operation of the lift truck.

SERVICE MAINTENANCE MANUALS, which provide service and overhaul procedures, and PARTS

MANUALS with complete replacement part identification, are available at a nominal fee from your Hyster dealer to assist users in effectively maintaining Hyster lift trucks in a safe, useful condition. See the list below for information on ordering specific publications for this model lift truck.

---

<b>PUBLICATION</b>	<b>HYSTER PART NUMBER</b>
Operating Manual.....	1676236
Service Manual (Complete).....	1689936
Parts Manual.....	1676157

**1**

**FRAME**